

APPENDIX 2002

CONTENTS

	pg.
Leading Braiders up the Garden Path	<i>i</i>
Errata — <i>The Braider</i>	<i>iv</i>

A quarterly publication
for
the braiding artisan

Resale of this publication or copies thereof
is strictly prohibited

Copyright ©2002 by :

{ A.G. Schaake; 21 Sundown Cresc.; Hamilton; New Zealand.
D. Van Tassel; Box 335; Craig, Co 81626-0335; U.S.A.
F.J.M. Masurel; Ganzenzijde 4; 2317XG Leiden; Nederland.

All rights reserved. No part of this publication may be reproduced, stored in a retrieval system, or transmitted, in any form or by any means, electronic, mechanical, photo-copying, recording, or otherwise, without prior written permission.

This publication is available to braiding artisans only.

Copies may be obtained from :

A.G. Schaake,
21 Sundown Cresc.,
Hamilton,
New Zealand.

SEE NOTE BELOW.

No. 31

NOTE: the first Fig. number in this Issue is 554, but should have been 584 instead. Hence the Fig. numbers 554-583 not only appear in *The Braider*, Issue No. 30, but the numbers 554-574 appear again in *The Braider*, Issue No. 31 and the numbers 575-583 appear again in *The Braider*, Issue No. 32. This was noted too late for rectification.

No. 32

See NOTE under No. 31 above.

Leading Braiders up the Garden Path

We received four pages of instructions of *How to Braid a Four Strand Leather Rope Braid* which were obtained from an internet web site apparently associated with W. J. Budd from 779 Cessna Ct., Spring Creek, NV 89815, U.S.A. The braiding instructions are accompanied by eight photographs. The top of the four strands of uniform width were left attached and this attached top-part piece of leather, after dampening it slightly, was folded in half so that two strands were on the front-side and two strands were on the back-side with the skin side out and the flesh side in. The presented constructional procedure is depicted in Fig. 1.

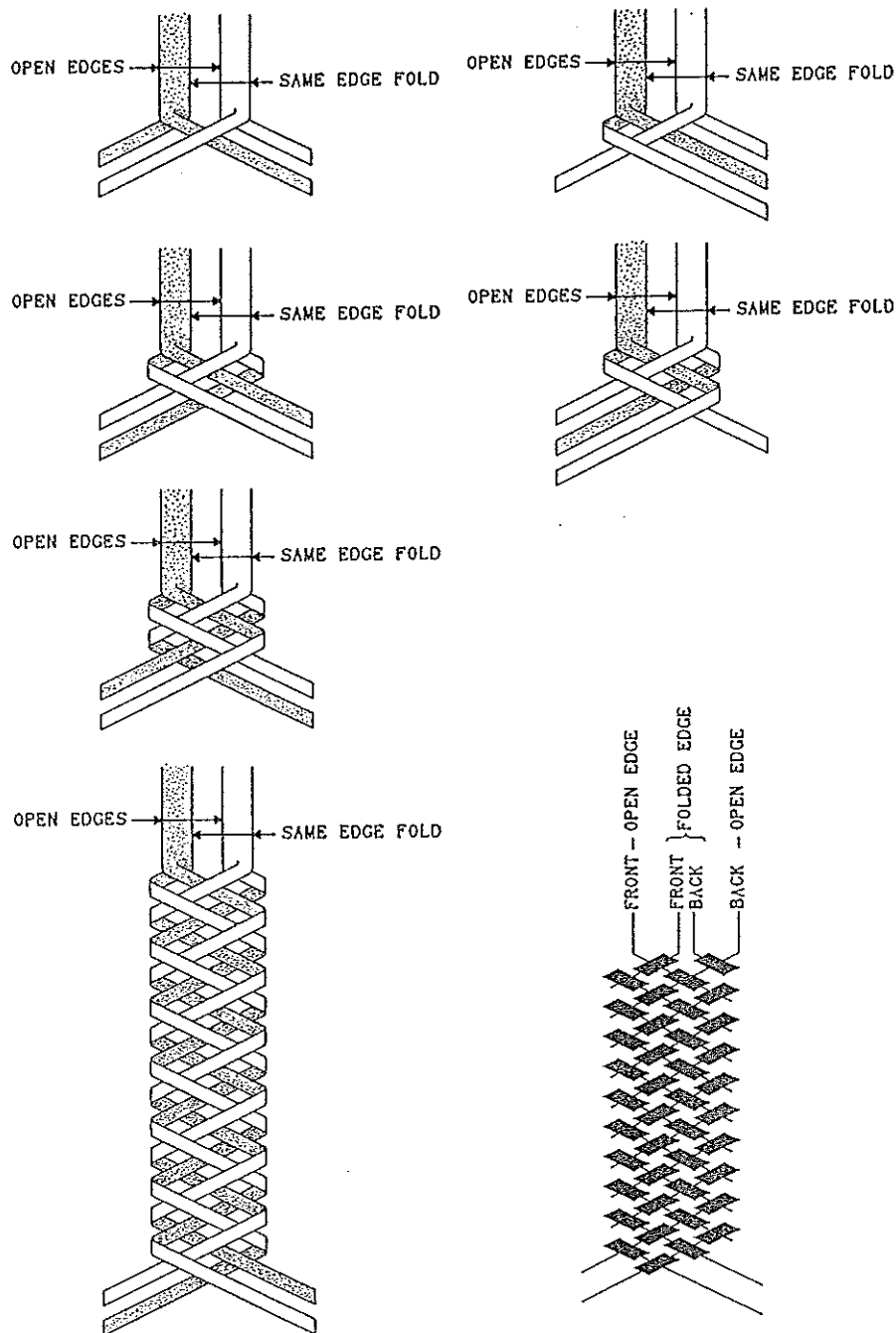


Fig.1 — The constructional procedure presented on the internet web site.

The second sentence of the presented instruction (depicted by the uppermost left

figure in Fig.1): *Cross the strands on both sides, always keep the skin side out and the flesh side in. Take the strand on the right and go over, on the back take the one on the right and go under., is wrong and should have been replaced by: Take (on the front) the strand on the right and go over (the strand on the left); on the back take the one on the left and go under (the one on the right).* The grid-diagram of the presented constructional procedure (see lowermost right figure in Fig. 1) shows clearly the error in the presented constructional procedure.

However, even with the correction of this error, the resulting constructional procedure should not be followed. Instead either the constructional procedure depicted in Fig.2 or depicted in Fig.3 should be adopted.

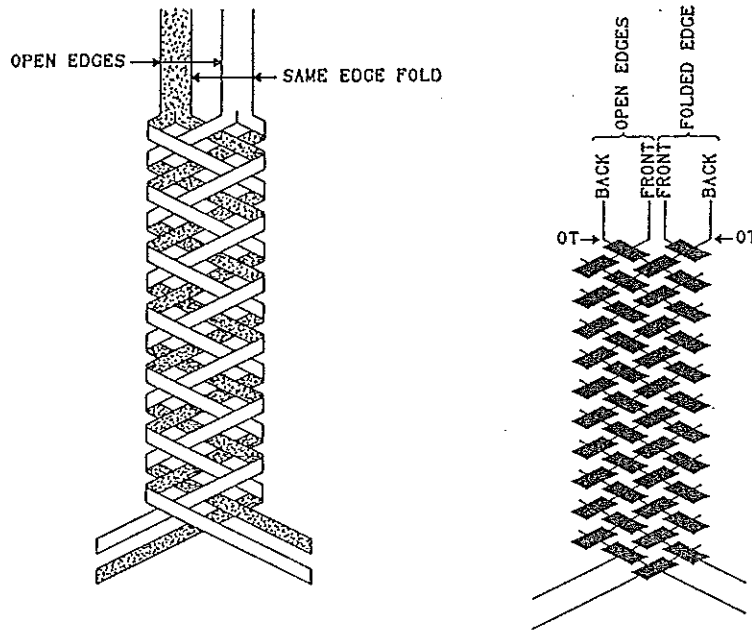


Fig.2 — A correct constructional procedure.

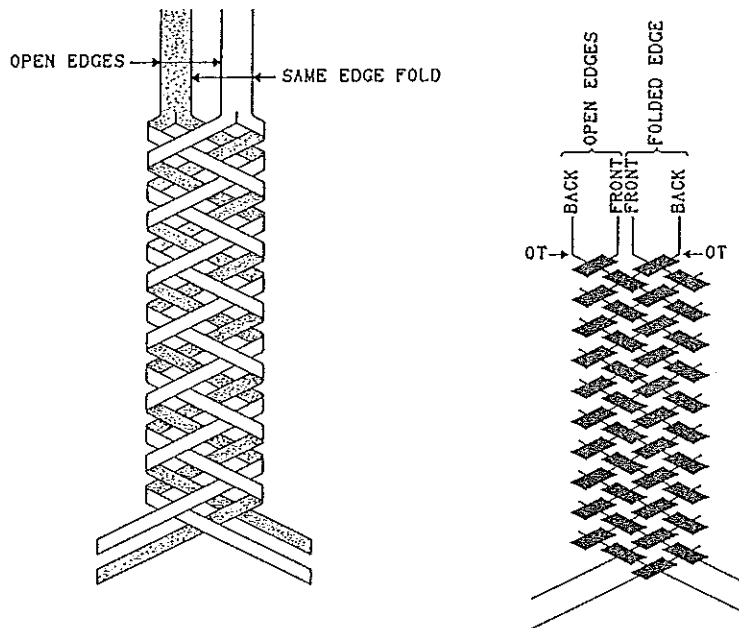
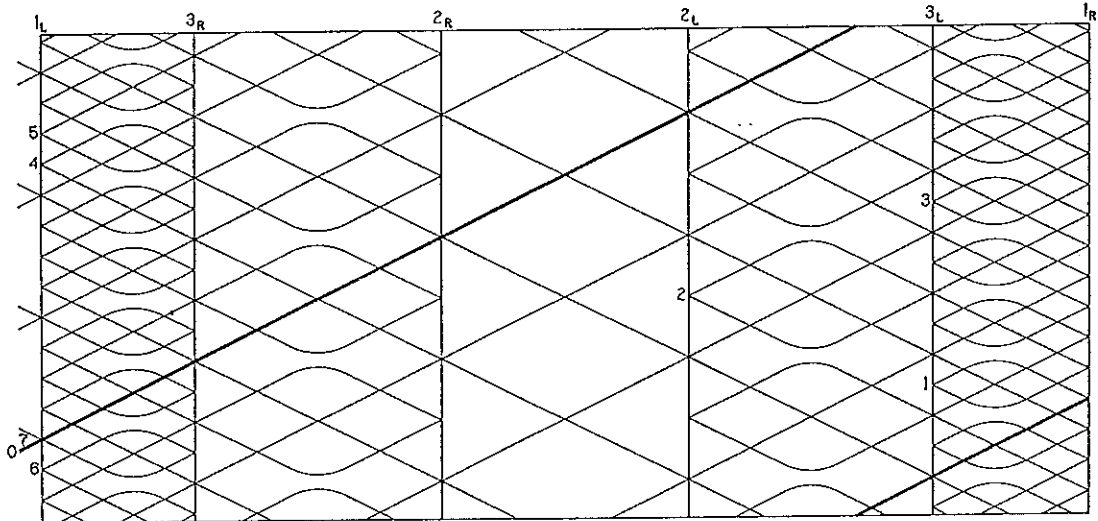


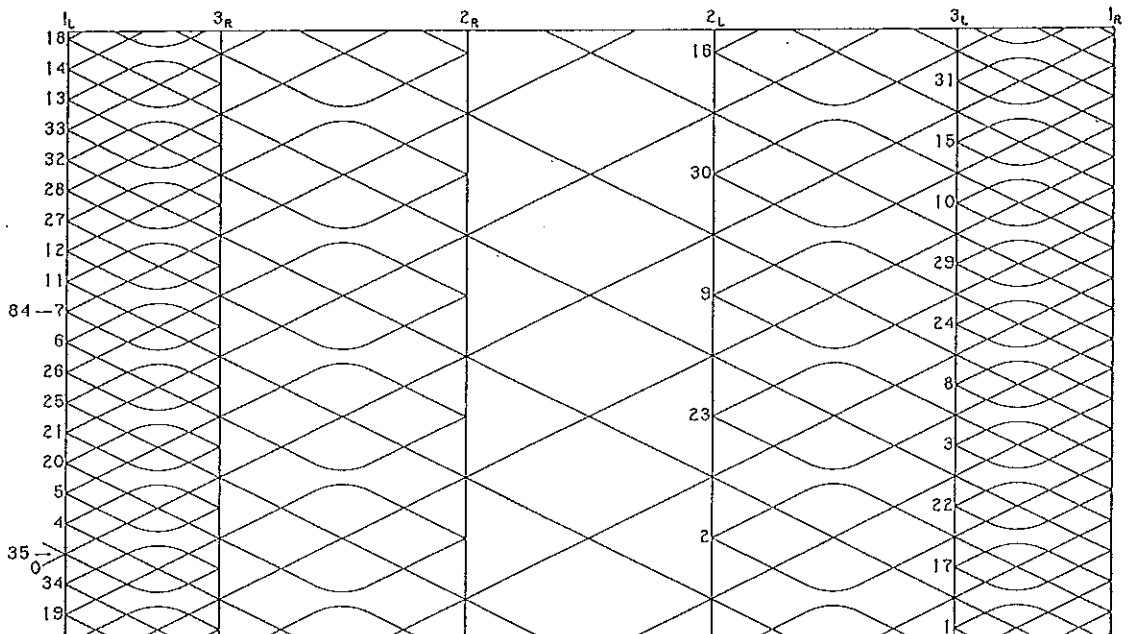
Fig.3 — A correct constructional procedure.

On page 687, Example 5, it states: "From Fig. 562 we observe that a period consists of 7 consecutive bights, ...". Fig. 562 could be confusing and should therefore be replaced by the Figure below.

Furthermore on the bottom of page 687, it states: "Thus for $B_c = 35$, for example, we obtain a single string Cylindrical Braid". This has been depicted in the diagram below.



A PERIOD CONSISTS OF THE BIGHTS IN THE FIRST-RETURN STRING-RUN; HENCE CONSISTS OF α CONSECUTIVE BIGHTS



ERRATA—THE BRAIDER

The list below lists the typing errors which were noted in at least some copies of the following Issues of *The Braider*.

No. 1

pg. 3, line 9 — it is

pg. 3, line 10 — unnecessarily

pg. 3, line 17 — in order to present

pg. 12, line 5 under “An Introduction to Flat Braids” — Four pages are devoted to

pg. 16, line 9 under “Reviews” — instructor

No. 2

pg. 21, line 2 — delete that

pg. 28, line 6 — However, a one colour

pg. 38, line 18 under “Reviews” — they are first class

No. 3

pg. 42, line 2 — Naturally, queries not directly

No. 4

pg. 76, line 5 — phenomenon

pg. 81, line 16 — phenomenon

No. 5

pg. 87, line 3 from bottom of page — exclude

pg. 106, line 11 — locality

No. 6

pg. 129, line 15 — 2-colour

No. 7**No. 8**

pg. 158, line 3 — Hence the number of bights

pg. 161, line 12 — In Fig. 144 are depicted the parts-raising processes

No. 9**No. 10**

pg. 213, line 2 — choose

No. 11

pg. 232, line 17 — in general

pg. 245, line 8 — in general

No. 12

pg. 257, line 6 — or $B = \{(2m + 2)(\alpha + 1) - 1\}N - (\alpha + 1)$ bights
 pg. 257, line 7 — Those with $B = \{(2m + 2)(\alpha + 1) - 1\}N - (\alpha + 1)$ bights
 pg. 257, line 9 — $b = \{(2m + 2)\alpha - 1\}N - \alpha$ bights. Those with
 $B = \{(2m + 2)(\alpha + 1) - 1\}N + (\alpha + 1)$ bights
 pg. 257, line 10 & 11 — with $p = \{(2m + 2)\alpha - 1\}$ parts and $b = \{(2m + 2)\alpha - 1\}N + \alpha$
 bights
 pg. 257, line 7 from bottom — delete **thinspace**

No. 13

pg. 276, line 7 — in general

No. 14

pg. 308, line 3 — in general

No. 15

pg. 338, line 1 — independent

No. 16

pg. 347, line 3 — $P = 2m(\alpha + 1) + 1$
 pg. 353, line 16 — screw
 pg. 356, line 3 — two
 pg. 359, line 5 under Fig. 310 — boundary
 pg. 361, line 3 from bottom — Headhunter's-coded
 pg. 366, line 30 — braided

No. 17

pg. 369, line 12 — mathematical
 pg. 372, lines 8, 9, 10, 13 — positive
 pg. 383, line 13 — Figs. 326–328
 pg. 387, line 2 below Fig. 332 — in general
 pg. 387, line 13 below Fig. 332 — cases

No. 18

pg. 393, the right-hand brace } immediately before the second equal sign is missing in
 the three lines above the upper line, and the right-hand brace } immediately
 before the third equal sign is missing in the first line below the upper line.
 pg. 395, line 4 — additionally
 pg. 396, bottom line — in general
 pg. 397, line 4 from bottom — in general
 pg. 412, Fig. 345 immediately below the sixth diagram — change $o - u - o - u$ to
 $u - o - u - o$.
 pg. 413, Fig. 346 leftmost diagram in second row of diagrams: the two non coded crossing
 points should have been provided with an under coding each for the braiding direction
 indicated.

No. 19

pg. 419, lines 2 & 3 from bottom — in general
 pg. 420, last line — $\Delta_{r_i} = 0$ for $r_i = 4$.
 pg. 421, line 2 — $(12/19/113)\{1_1 1_2 2_4 3_3 / 1_1 1_2 3_3 1_4 4_5 2_6\} 24$
 pg. 430, lines 3 & 5 — in general

No. 20

pg. 446, line 14 — A few simple examples
 pg. 446, line 3 from bottom — in general
 pg. 447, Footnote — These are the
 pg. 450, last line — delete thinspace
 pg. 464, line 20 — Brion Toss

No. 21

pg. 465, line 16 — in general

No. 22

pg. 493, second line under “Question on pg. 479” — appliqué

No. 23

pg. 516, line 3 — categorisation
 pg. 523, line 14 — Fig. 445

No. 24

pg. 537, line 2 — arises
 pg. 537, line 14 — actual
 pg. 545, line 1 — read as: greater than or equal to 2 and less than p

No. 25

pg. 563, line 19 — read as: greater than or equal to 2 and less than p

No. 26

pg. 593, line 6 — delete parenthesis after half-cycle

No. 27

pg. 631, line 18 — Herringbone
 pg. 633, line 33 — Herringbone
 pg. 634, line 3 — Herringbone

No. 28

pg. 640, line 2 — algorithms
 pg. 647, lines 11 & 20 below Fig. 517 — finished
 pg. 648, lines 1, 10, 19, 28, 37 & 46 — finished
 pg. 649, lines 8 & 17 — finished
 pg. 650, line 4 — read as: greater than 1 and less than or equal to 17
 pg. 650, lines 5 & 6 — read as: greater than or equal to 3 and less than or equal to 17
 pg. 650, line 4 below Fig. 519 — read as: greater than 1 and less than or equal to 23

pg. 650, line 6 below Fig. 519 — read as: greater than or equal to 3 and less than or equal to 23

pg. 651, line 3 — read as: greater than or equal to 2 and less than or equal to 8

pg. 651, line 4 below Fig. 521 — read as: greater than or equal to 2 and less than or equal to 12

No. 29

pg. 677, next to last line — usual

No. 30

pg. 704, line 9 from bottom — can be made

No. 31

NOTE: the first Fig. number in this Issue is 554, but should have been 584 instead. Hence the Fig. numbers 554-583 not only appear in *The Braider*, Issue No. 30, but the numbers 554-574 appear again in *The Braider*, Issue No. 31 and the numbers 575-583 appear again in *The Braider*, Issue No. 32. This was noted too late for rectification.

No. 32

See NOTE under No. 31 above.

No. 33

pg. 757, lines 1 and 5 — Any one

pg. 761, line 21 — delete parenthesis after half-cycle

pg. 768, line 1 — reality

pg. 782, line 4 — misrepresentation

pg. 782, line 29 — whereas

No. 34

pg. 793, line 2 — any one

pg. 794, lines 19 and 23 — Any one

pg. 797, line 3 from bottom — (see pg. 794)

pg. 797, line 4 from bottom and last line — the nest-index number

pg. 800, line 3 from bottom — crossings between the right-hand

No. 35

No. 36

Cover sheet — Hobbles

pg. 831, lines 1 and 2 — Hobbles

pg. 831, line 6 — knuckles

pg. 831, line 7 twice, 11, 13, 15, 21 — hobbles

pg. 831, line 19 — approximately

pg. 832, line 7 — hobbles
